

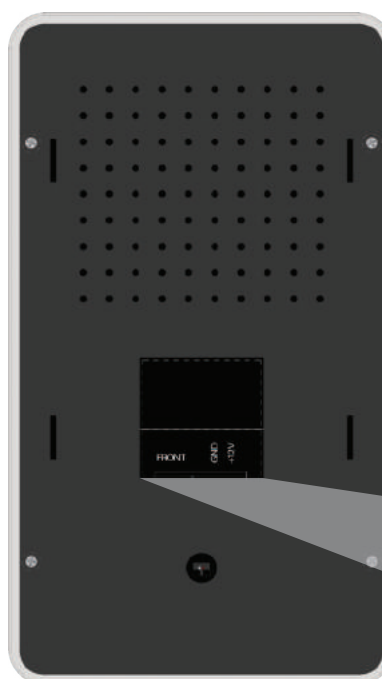
STONELOCK

The Face of Recognition

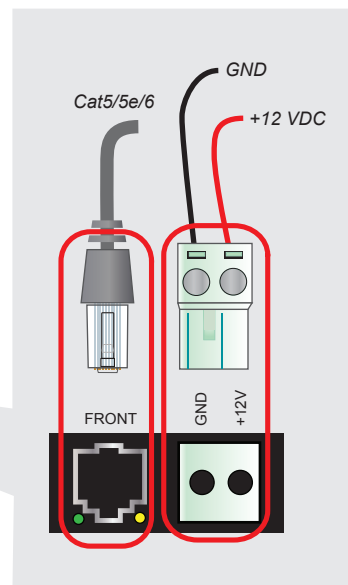
Technical Specifications

StoneLock® Pro

When it comes to protecting your most critical assets, only StoneLock Pro can meet your needs for identity assurance, ease of use, and accurate performance. Solely relying on advanced near-infrared technology (NIR), StoneLock Pro offers frictionless and rapid verification of identity even in complete darkness.

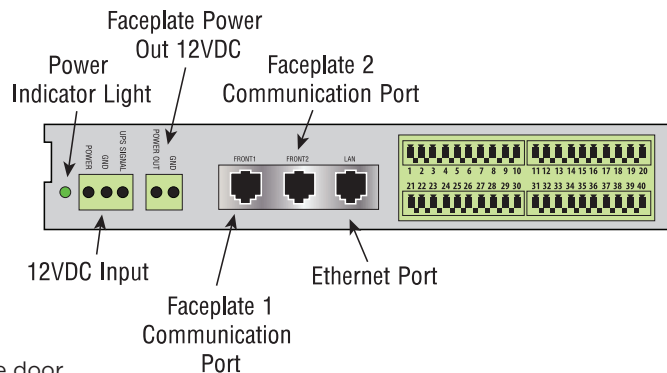


FACEPLATE CONNECTIONS

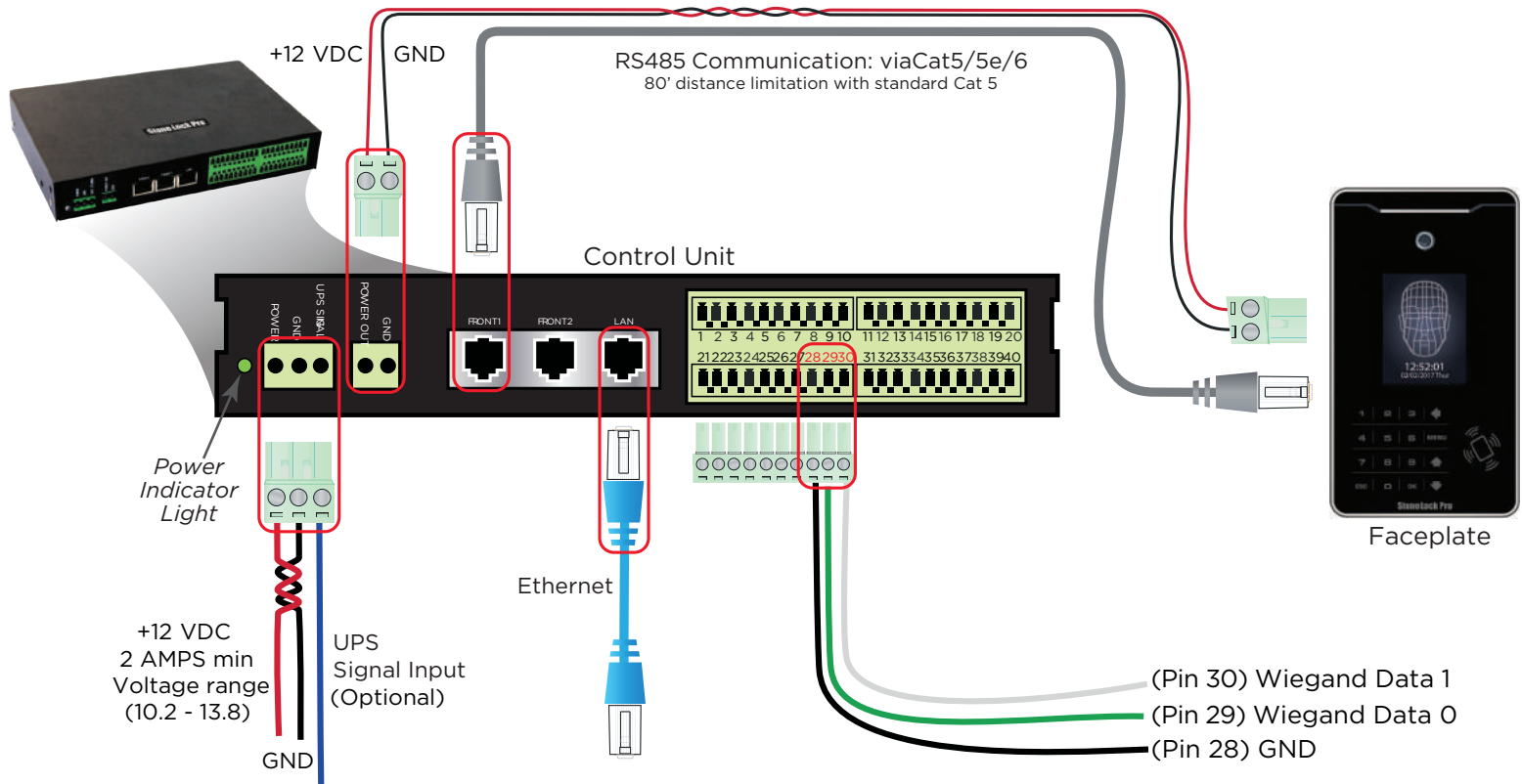


CONTROL UNIT

The control unit resides on the secure side of the door. This device holds all of the templates, processes all of the data and contains all of the communication ports.



Cabling, Network Requirements



STONELOCK GATEWAY SERVER, SOFTWARE & INTEGRATION REQUIREMENTS

StoneLock Gateway can be virtualized on the access control system, supported as a Linux VM on a Windows machine, ran on a dedicated Linux server or provided on hardware from StoneLock

PACS Requirements

- CCURE 9000 – Host license cc9000-stonelock or Victor Client Web Services
- ONGUARD – Data Conduit
- SYMMETRY – Open XML and Data Export License
- PRO WATCH – HSDK
- SECURITY CENTER – SDK
- IDENTIVE – SDK License
- ACM – None

* when required, permanent accounts with admin credentials must be established

StoneLock Linux VM on PACS System Specs

- Max card holder database, 25,000 card holders
- Windows machine can not be a VM
- Requires full admin access
- Network connectivity outside of Windows machine – DHCP is preferred
- Windows machine requirements
 - Processor must support virtualization
 - 32G RAM
 - 15G Storage
 - Windows 64 bit – 7, 10, Server 12d

- *Users must have full permissions and admin access inclusive of moving files via SSH from windows server to linux server*
- *Full network connectivity must be established*

NETWORK Specs & Requirements

Communication Ports

- 13333 - StoneLock hardware
- 80/8080 (configurable)
- 8090 (configurable)
- 9000 (required for embed client)
- 22 - SSH/SSL (configurable)

Linux Server - Native

Hardware requirements

- Intel i7 processor or better
- 32G RAM
- 15G storage available
- Single NIC

Supported Versions

- UBUNTU 14-17 (preferred)
- OEL 7.3 or higher
- Debian 8 and 9
- RHEL 6 and 7
- Fedora 17 through 26
- CentOS 6 and 7

Linux VM on Windows Machine

Hardware running VM requirements

- 32G RAM
- 15G Available Storage

Supported Versions

- UBUNTU 14-17 (preferred)
- OEL 7.3 or higher
- Debian 8 and 9
- RHEL 6 and 7
- Fedora 17 through 26
- CentOS 6 and 7

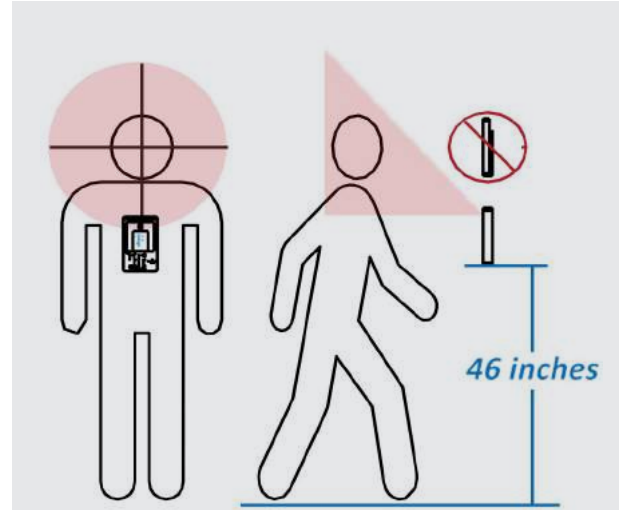
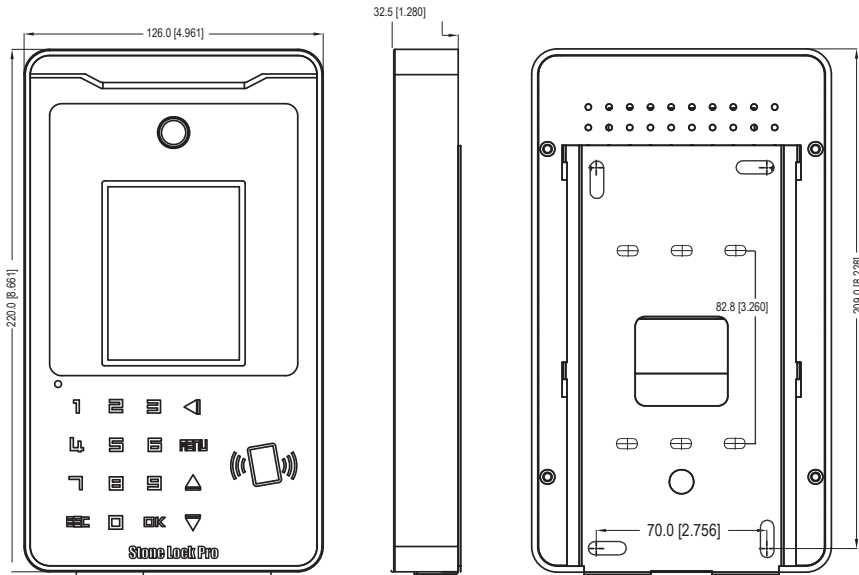
VM Requirements

- 16 G RAM minimum allocated
- 15G available storage

DIMENSIONS

FACEPLATE

mm [inches] 9x5x1 inches (approx)

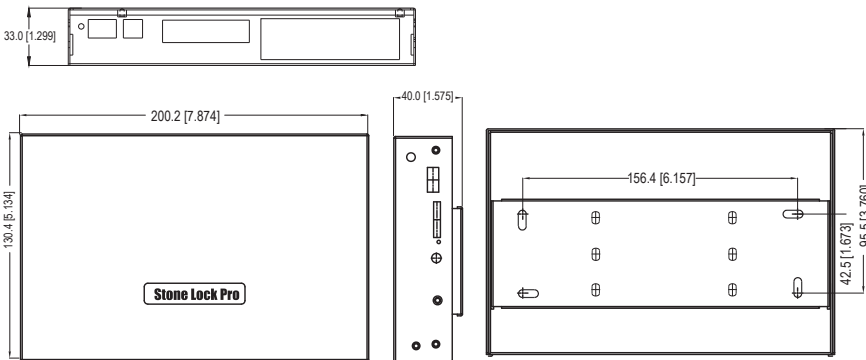


INSTALLATION CONSIDERATIONS

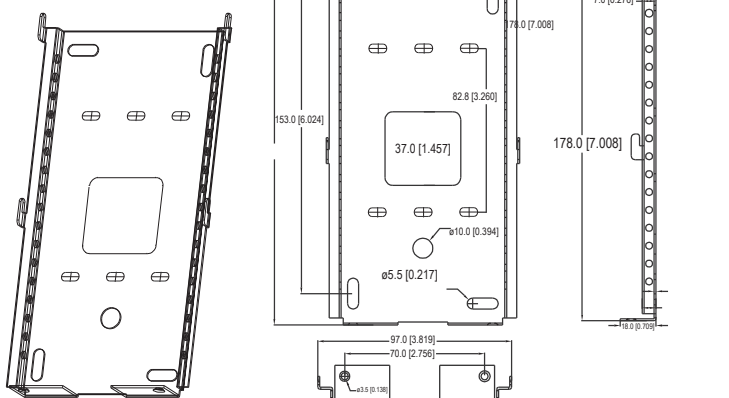
- 46" from floor to bottom of faceplate
- HID Card formats needed to support customer card requirements
- External 12 VDC power supply supplying 2 AMPS during authentication
- Location (recommended indoor)

CONTROL UNIT

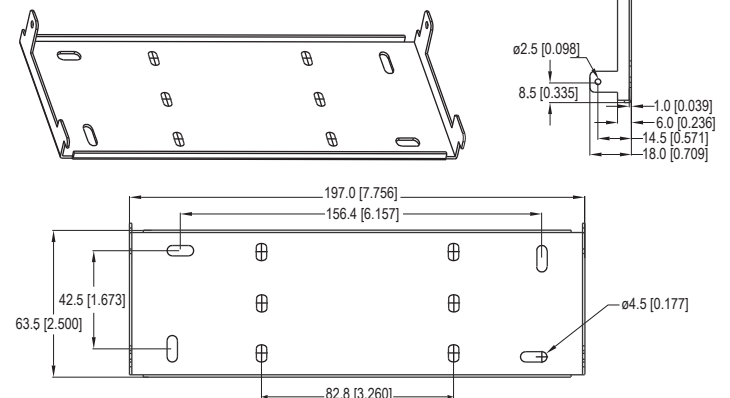
mm [inches] 8x5x1.5 inches (approx)



FACEPLATE BRACKET



CONTROL UNIT BRACKET



OPERATIONAL CAPABILITIES

Verification Modes	<ul style="list-style-type: none"> • 1:N – Face Only • 1:1 – Card & Face • 1:1 – Pin & Face 	<ul style="list-style-type: none"> • Card & Pin & Face (3 Factor) • Card Only
Color Camera Capabilities	<ul style="list-style-type: none"> • JPEG Audit Trail • Live Video Stream • Remote Enrollment 	<ul style="list-style-type: none"> • Provides visual feedback for alignment of face
Audit Capabilities <i>*PACS dependent</i>	<ul style="list-style-type: none"> • All Verification records are sent via network connection-inclusive of access granted and access denied • Alarm records sent via network connection-inclusive of denied verification, faceplate removed, faceplate impact alarm • Alarms also available via hard contact closure using Form C contacts 	

SPECIFICATIONS

Capacity	<p>Single Unit - 20,000** 1:N profiles (1,000 1:N - offline) - 10,000 1:1 profiles (offline) - 300,000 maximum stored records (offline) Networked 1:1 - no limit - requires StoneLock Gateway **StoneLock Gateway 1U Server required</p>
Card Reader	<p>Supports MIFARE Classic®, MIFARE DESFire® 0.6, MIFARE DESFire® EV1, HID: iCLASS® Standard/SE/SR/Seos; PIV II, Secure Identity Object™ (SIO), 35 & 48 bit Corporate 1000, 37 bit and 37 bit Infinity card formats</p>
Custom Card	<p>HID Custom Card Format - up to 88 bits</p>
Enrollment	<p>Approximately 15 seconds per user</p>
Network	<p>TLS 1.2, 802.1x, DHCP, IPv4, IPv6</p>
Speed	<p>Measurement time < 10ms Record match time < 0.002ms</p>
False Acceptance Rate (FAR)	<p>FAR: Better than 1 in a quarter million; 1/250,000 (<0.0004%) at highest sensitivity</p>
Ambient Light Range	<p>0-6000 Lx - Works in total darkness</p>
Temperature	<p>-25°C - 55°C (-10°F - 130°F)</p>
Moisture	<p>20% RH - 95% RH</p>
Connectivity	<p>Wiegand / RS485 / USB / Cat5/5e/6 Ethernet (Wiegand may be set to Card #, User ID#, or Custom #) 2 Form C Contacts</p>
Electrical Requirements	<p>12.0 VDC +/- 1.8 VDC, measured at the unit during authentication 2 Amps min, some configurations may draw up to 11 Amps Refer to StoneLock® Pro User Guide for specifics</p>
Impact Sensitivity Settings	<p>Low - Alarm triggered by a 300Hz vibration Medium - Alarm triggered by a 100Hz vibration High - Alarm triggered by a 40Hz vibration</p>
LCD Screen	<p>3.5" TFT Display</p>
Body	<p>Aluminum uni-body design</p>
Electronic Locks 1 and 2	<p>Active Mode - Approximately 12VDC output (voltage equivalent to the supply voltage minus 0.3 VDC), 2 Amps Maximum Output Passive Mode - Form C contacts, Maximum 24VDC at 8 Amps, DOES NOT SUPPORT AC SIGNALS.</p>
Auxiliary Output 1 and 2	<p>Active Mode - Approximately 12VDC output (voltage equivalent to the supply voltage minus 0.3 VDC), 2 Amps Maximum Output Passive Mode - Form C contacts, Maximum 24VDC at 8 Amps, DOES NOT SUPPORT AC SIGNALS.</p>
Auxiliary Output Power (PIN19)	<p>Approximately 12VDC output (voltage equivalent to the supply voltage), 1 Amp Maximum Output</p>

stonelock.com

sales@stonelock.com

1-800-970-6168